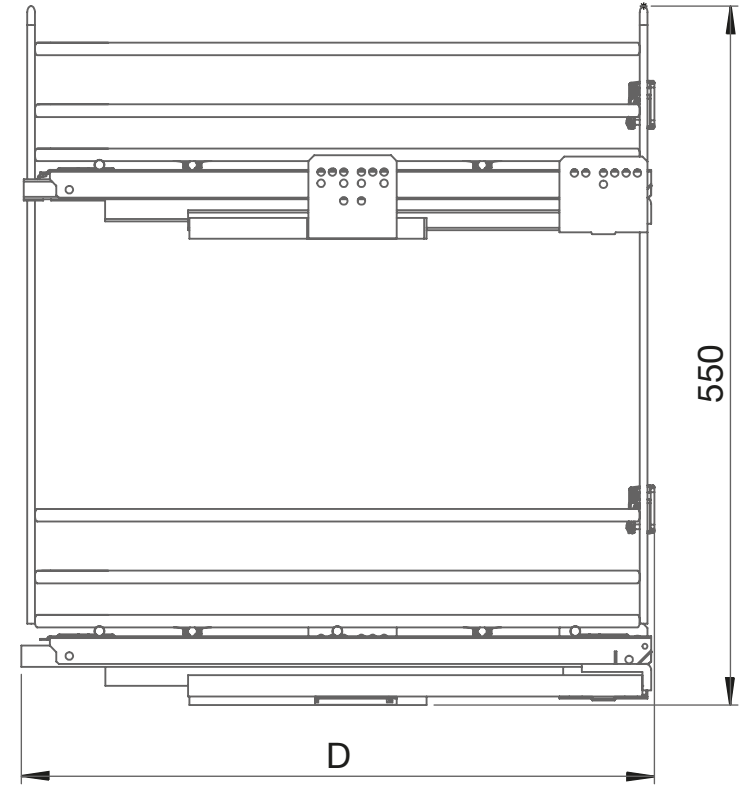
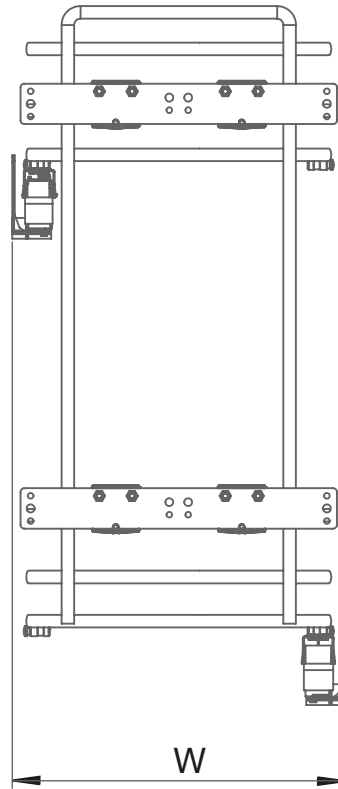
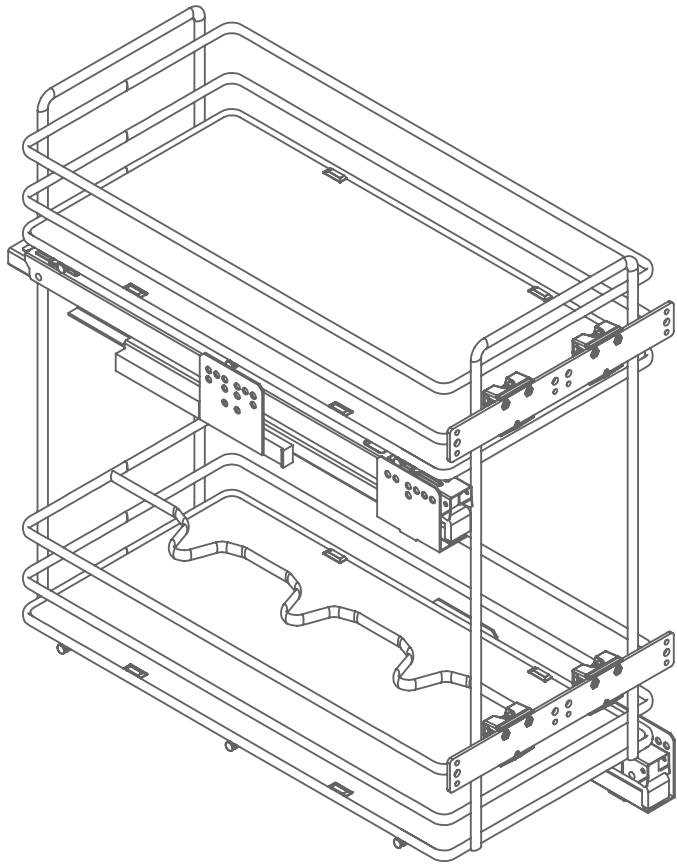
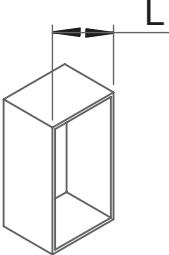


# 5102



	L [mm]	300	400	450	500	600
	W [mm]	264	364	414	464	564

Code	D [mm]
45	450
50	500