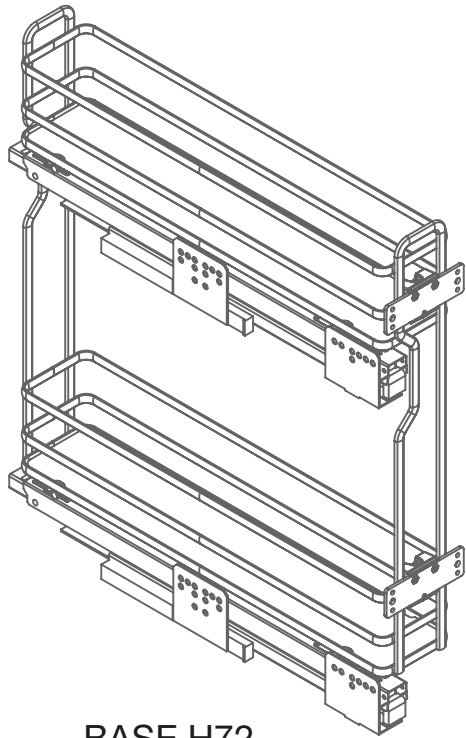
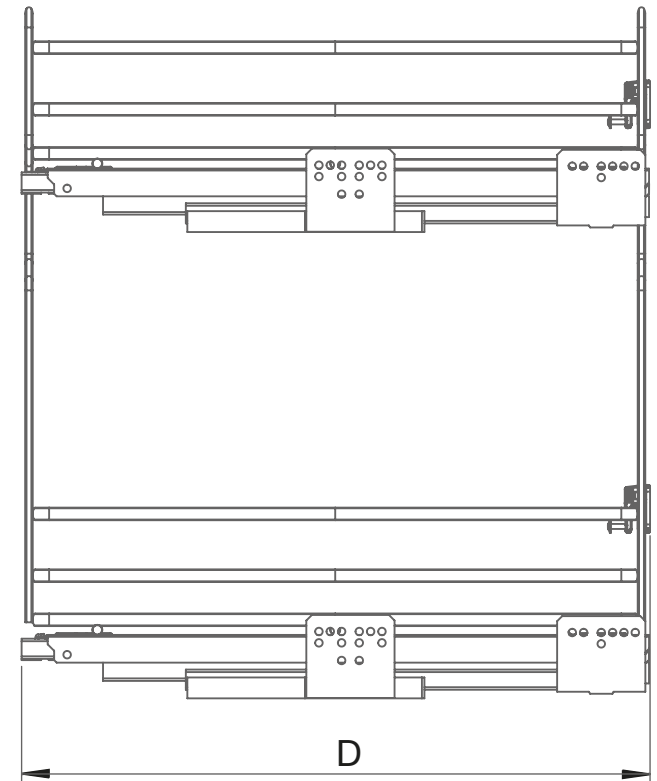
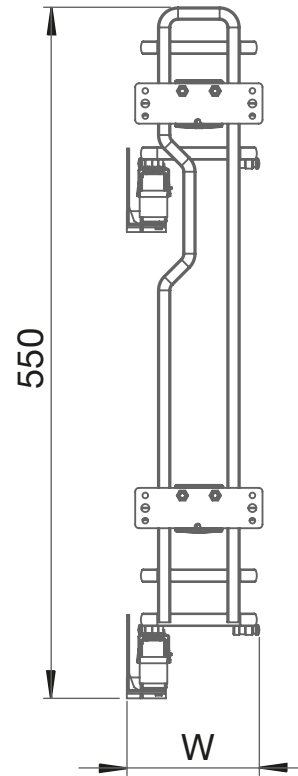
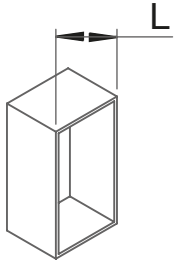


5104



BASE H72
H72 Base Unit



	L [mm]	150	200	250
	W [mm]	264	364	414

	Code	D [mm]
PENSILE Wall Unit (*)	--	--
BASE H72 H72 Base Unit	45	450
	50	500