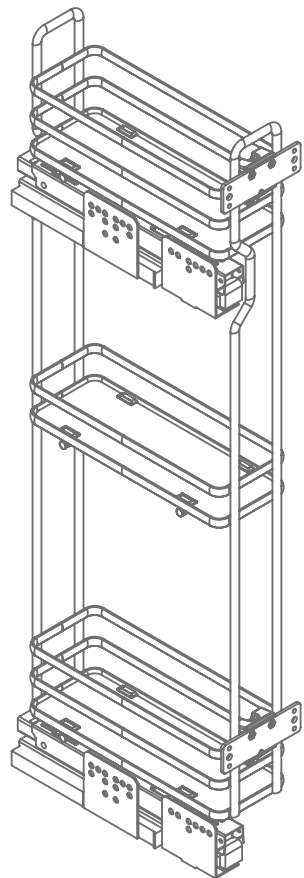
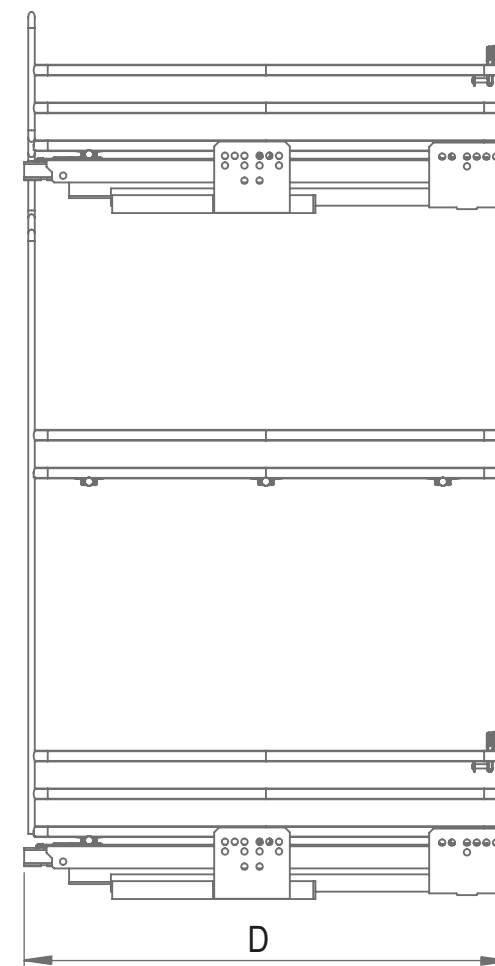
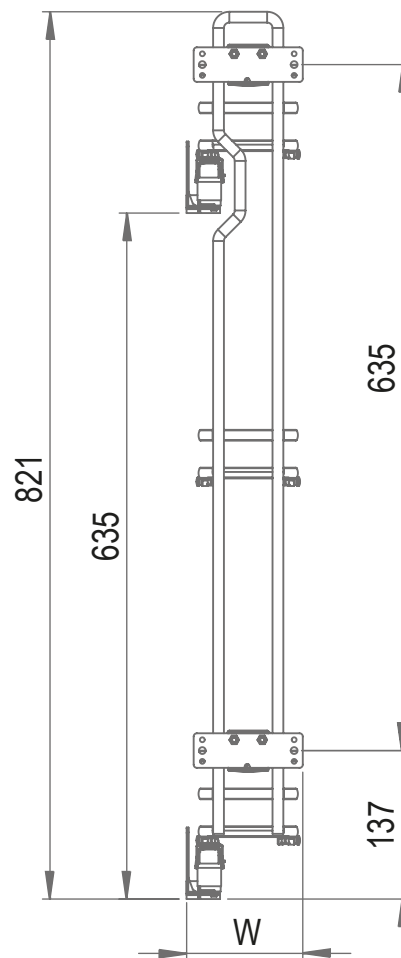


# 5124



PENSILE  
Overhead cabinet



	L [mm]	150
	W [mm]	108

Code	D [mm]
28	275
-	-
-	-