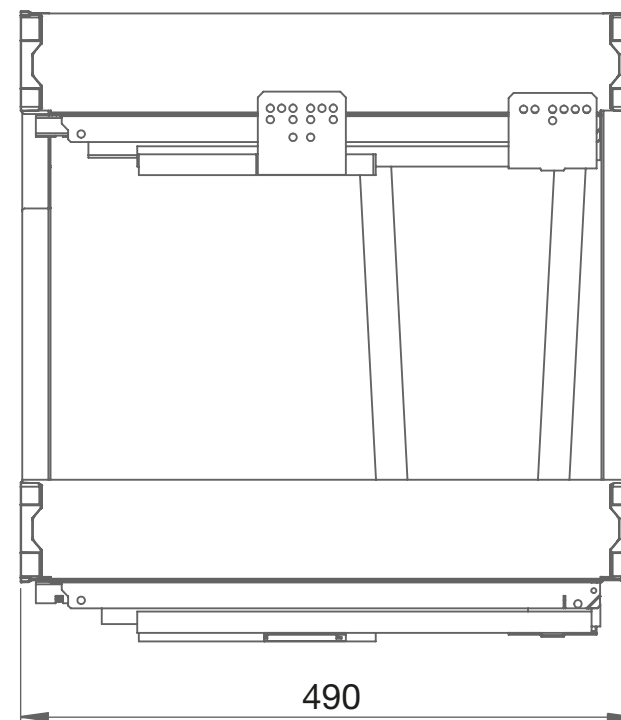
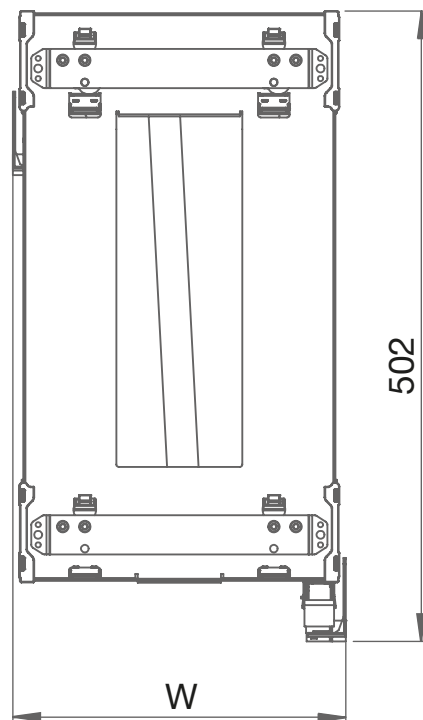
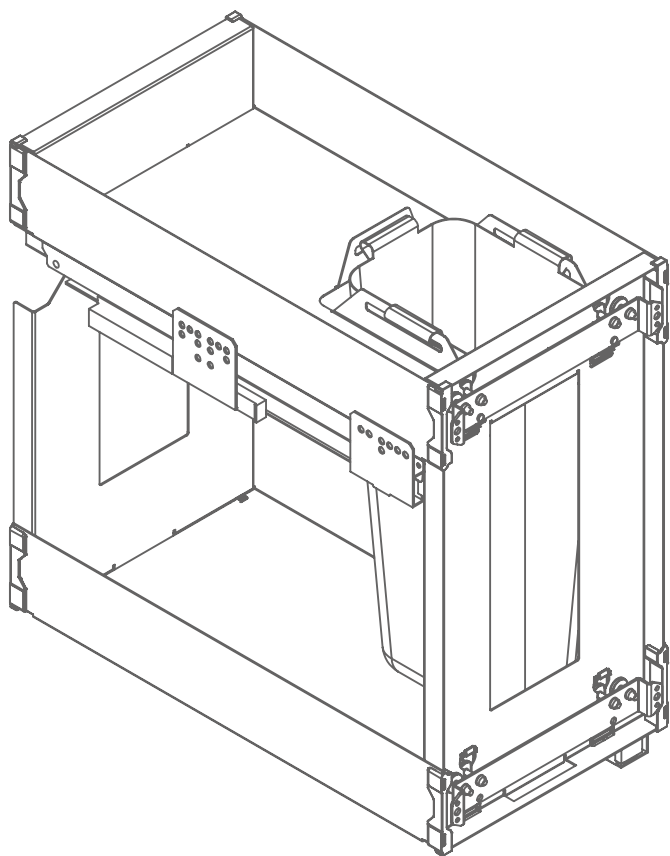
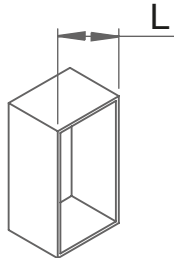


# 8105



	L [mm]	300	400	450
	W [mm]	264	364	414