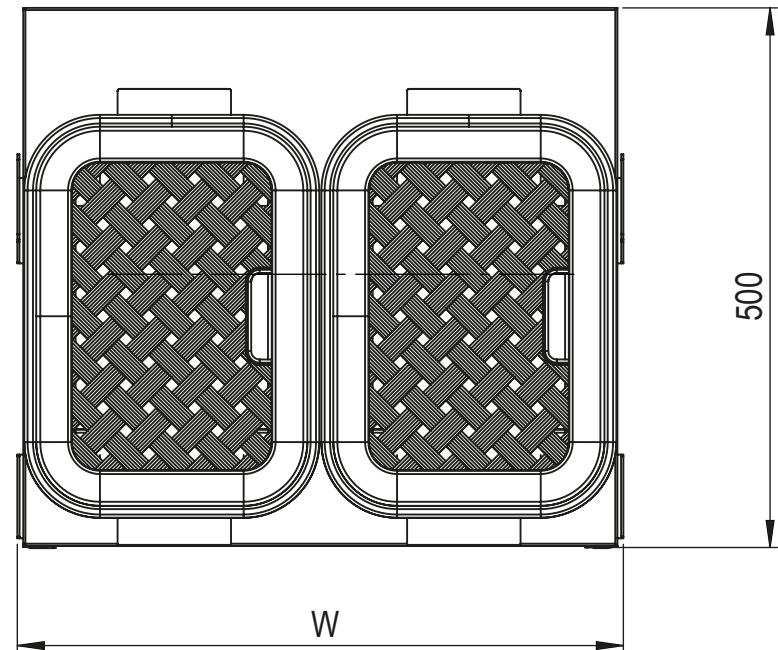
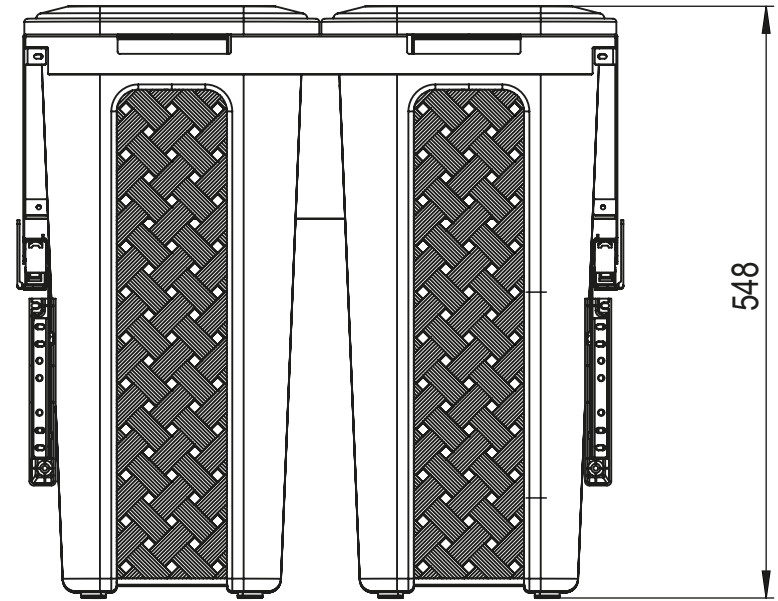
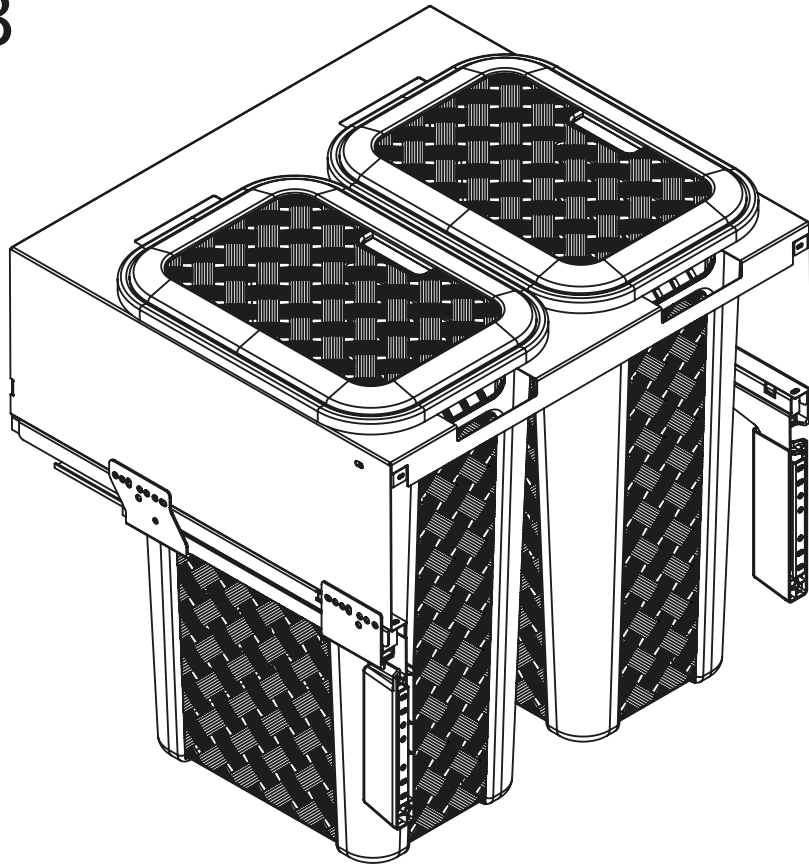


# 97PB



	L [mm]	450	500	600
	W [mm]	414	464	564
	Secchi / baskets	1x50lt	1x50lt	2x30lt