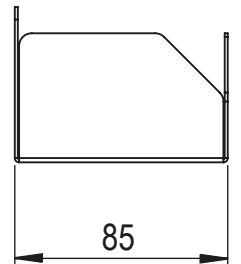
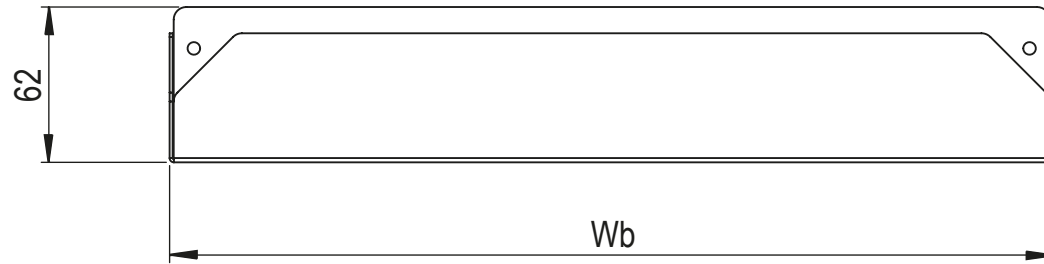
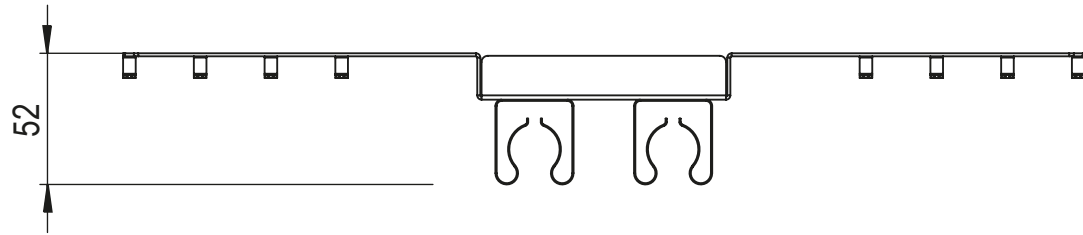
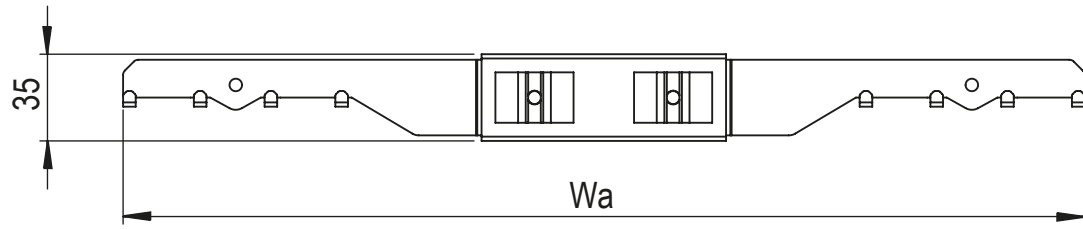
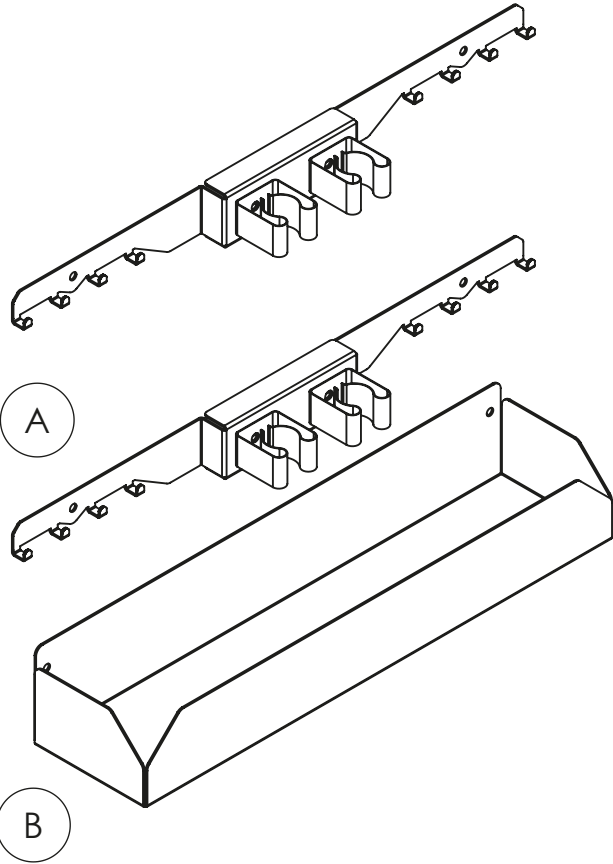


L01



	L [mm]	600
	Wa [mm]	381
	Wb [mm]	351