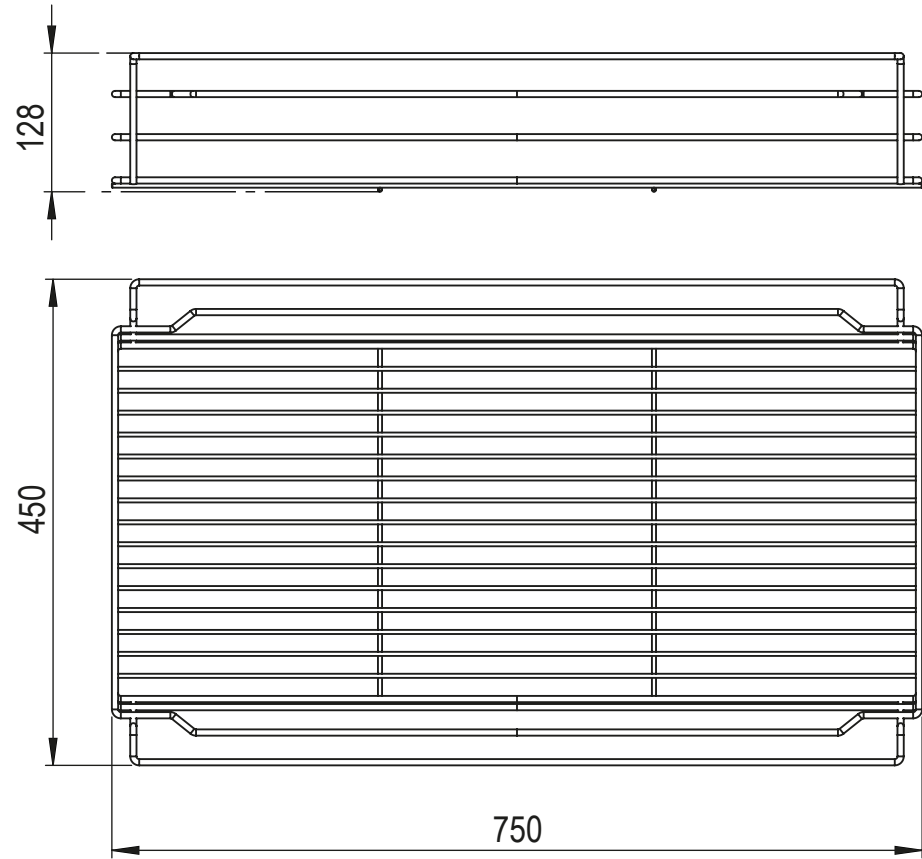
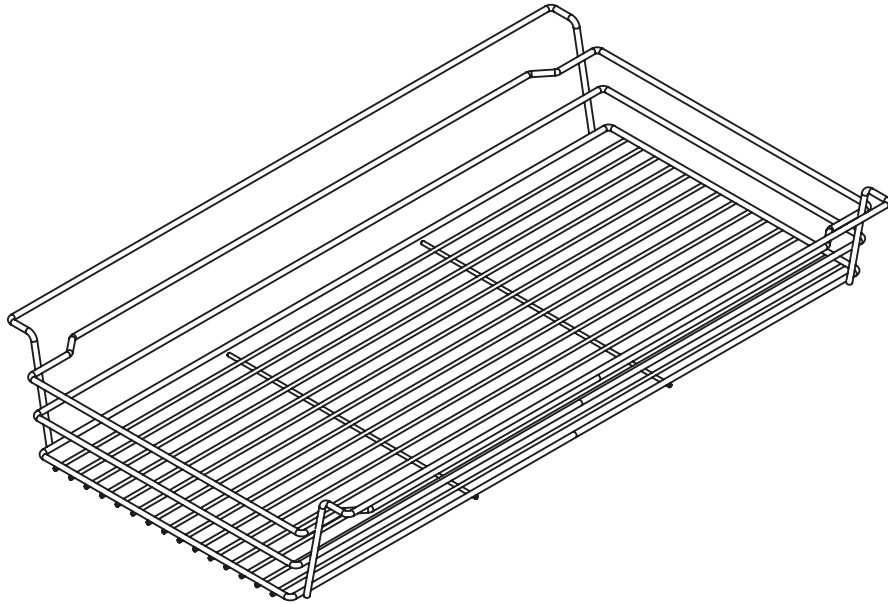
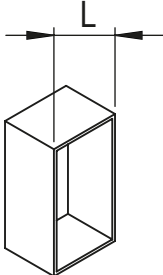


# APBW



|   |        |     |     |     |     |     |     |     |
|---|--------|-----|-----|-----|-----|-----|-----|-----|
|  | L [mm] | 400 | 450 | 500 | 600 | 750 | 800 | 900 |
|   | W [mm] | 250 | 300 | 350 | 450 | 600 | 650 | 750 |