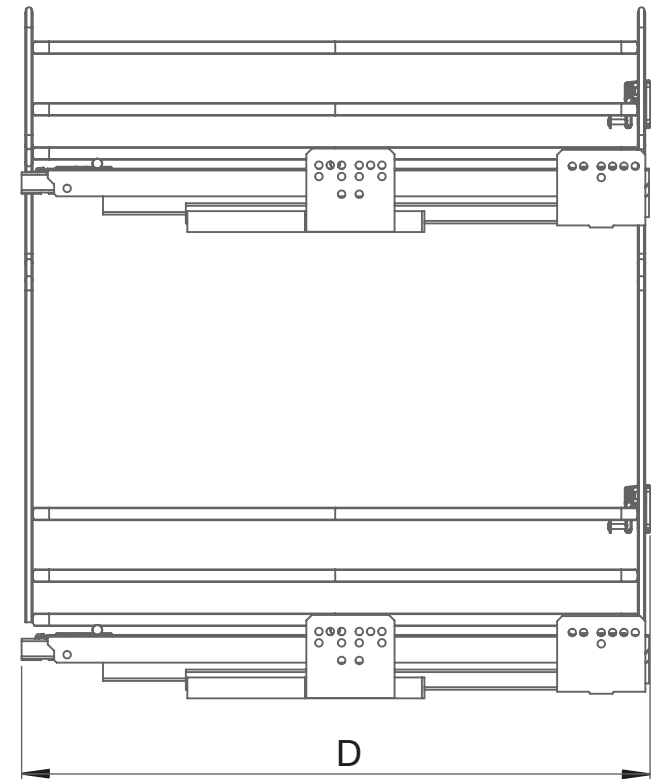
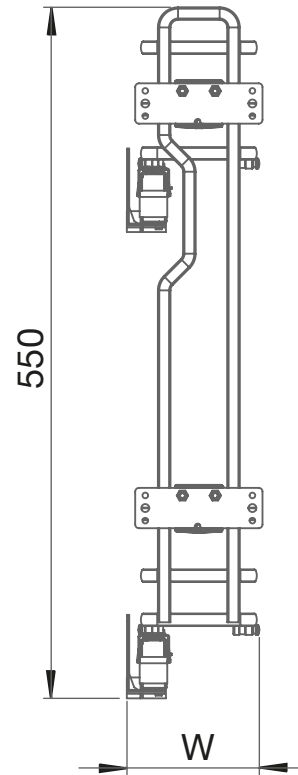
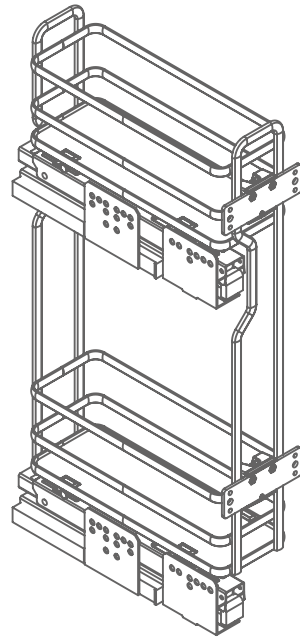


# 5104



PENSILE  
Wall Unit (\*)

	L [mm]	150	200	250
	W [mm]	264	364	414

	Code	D [mm]
PENSILE Wall Unit (*)	28	275
BASE H72 H72 Base Unit	--	--
	--	--

(\*) - Solo mobili larghezza L 150 mm - Only for L 150 mm wall units