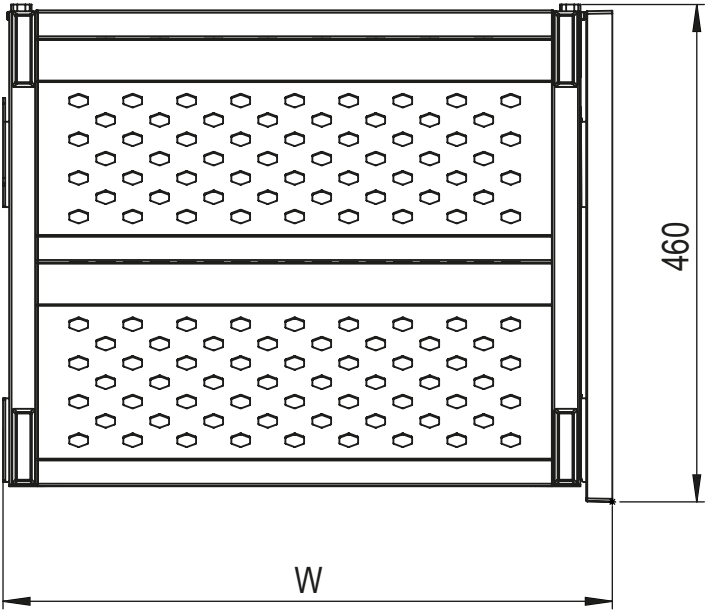
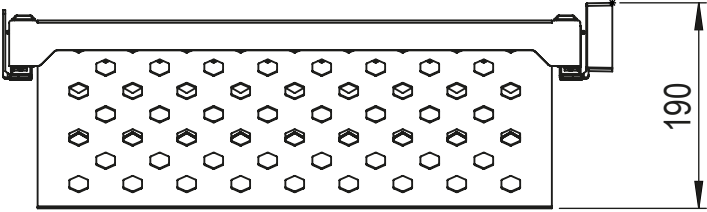
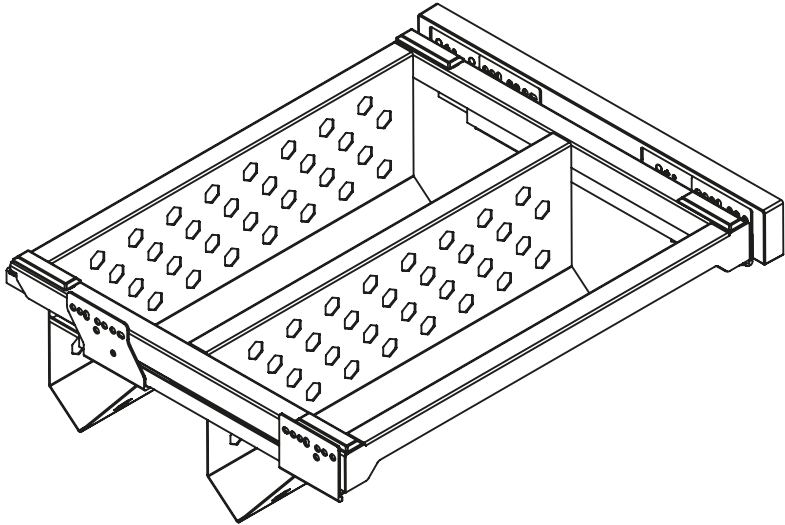


# ZPSL



	L [mm]	350	400	450	500	600
	W [mm]	314	364	414	464	564